



**EVALUATION REPORT**

**2010 FLORIDA BUILDING CODE**

**Manufacturer:** CERAMICA VEREA S.A.  
 Lanzá s/n,  
 15685 Mesía (La Coruña)  
 Spain  
 (754) 368-0539  
<http://en.ceramicaverea.info/>

*Issued August 26, 2014*

**Manufacturing Plants:** Mesía (La Coruña), Spain

**Quality Assurance:** Miami-Dade (QUA1591)

**SCOPE**

**Category:** Roofing  
**Subcategory:** Roofing Tiles  
**Code Sections:** 1507.3.4  
**Properties:** Physical Properties

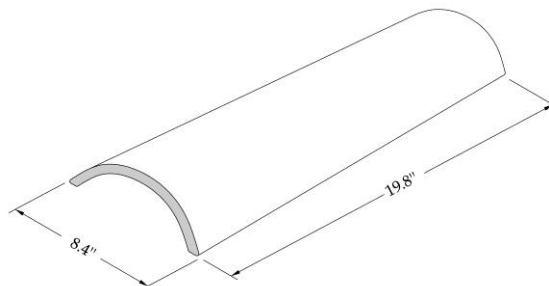
**REFERENCES**

<u>Entity</u>	<u>Report No.</u>	<u>Standard</u>	<u>Year</u>
American Test Lab of South Florida Inc (TST3782)	RT0710.01-14	ASTM C 1167	2003
American Test Lab of South Florida Inc (TST3782)	RT0710.02-14	ASTM C 1167	2003
American Test Lab of South Florida Inc (TST3782)	RT1220.01-13	ASTM C 1167	2003

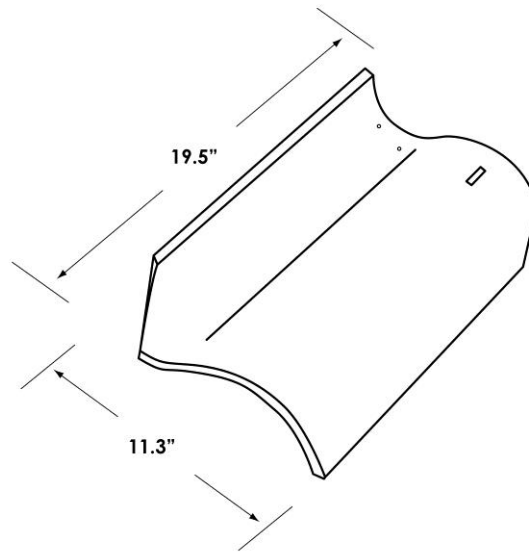
**PRODUCT DESCRIPTION**

- Clay Barrel Roof Tile**      ASTM C 1167, Type I-High Profile, Grade 2 two-piece clay roof tile.
- Clay Spanish "S" Roof Tile**      ASTM C 1167, Type I-High Profile, Grade 2 clay roof tile.
- Clay Flat Roof Tile**      ASTM C 1167, Type III-Flat Profile, Grade 1 clay roof tile.

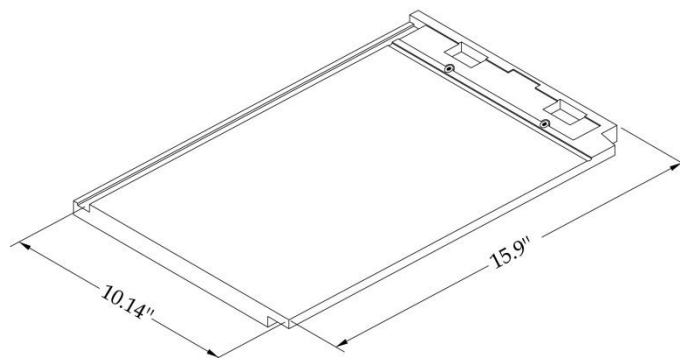
**Figure 1. Clay Barrel Roof Tile**



**Figure 2. Clay Spanish “S” Roof Tile**



**Figure 3. Clay Flat Roof Tile**





**LIMITATIONS**

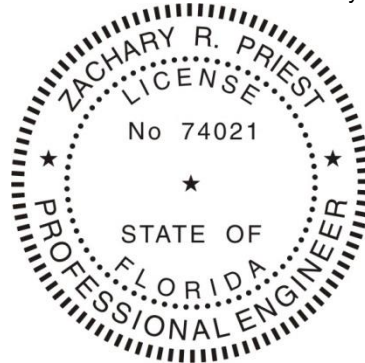
---

- 1) Fire Classification is not within the scope of this evaluation.
- 2) This report is not for use in the HVHZ.
- 3) Tiles shall be mechanically attached for wind load resistance in accordance with FRSA/TRI 07320/8-05.
- 4) Installation of the evaluated products shall comply with FBC Section 1507.3, FRSA/TRI 07320, and the manufacturer's published application instructions. Where discrepancies exist between these sources, the more restrictive detail shall prevail.
- 5) All products listed in this report shall be manufactured under a quality assurance program in compliance with Rule 61G20-3.

**COMPLIANCE STATEMENT**

---

The products evaluated herein by Zachary R Priest P.E. have demonstrated compliance with the 2010 Florida Building Code as evidenced in the referenced documents submitted by the named manufacturer.



Zachary R. Priest, P.E.  
Florida Registration No. 74021  
Organization No. ANE9641

**CERTIFICATION OF INDEPENDENCE**

---

CREEK Technical Services, LLC does not have, nor will it acquire, a financial interest in any company manufacturing or distributing products under this evaluation.

CREEK Technical Services, LLC is not owned, operated, or controlled by any company manufacturing or distributing products under this evaluation.

Zachary R. Priest, P.E. does not have, nor will acquire, a financial interest in any company manufacturing or distributing products under this evaluation.

Zachary R. Priest, P.E. does not have, nor will acquire, a financial interest in any other entity involved in the approval process of the product.

**END OF REPORT**